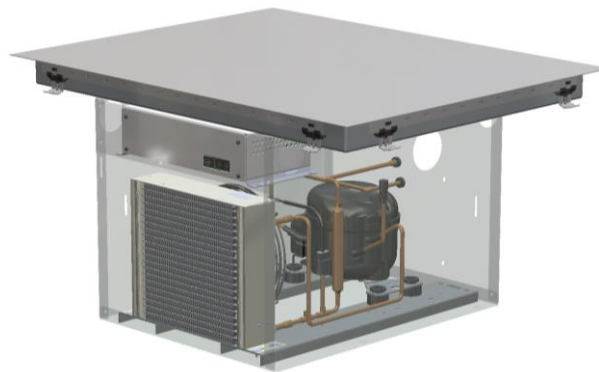


# Undercounter unit for buffets InvisiFreeze™ S (GN2/1)

Article number 1 60 100 01



Cooling unit for invisible installation under surfaces made of various materials such as artificial stone or glass.

## Advantages:

- ✓ A maximum of flexibility in designing individual, modern buffet furniture
- ✓ Cover material can be used as a continuous surface without cut-outs
- ✓ Even surface that can be easily cleaned and disinfected
- ✓ Highly energy-efficient due to modern technology
- ✓ Precise power regulation at the touch of a button

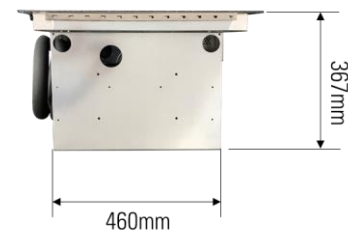
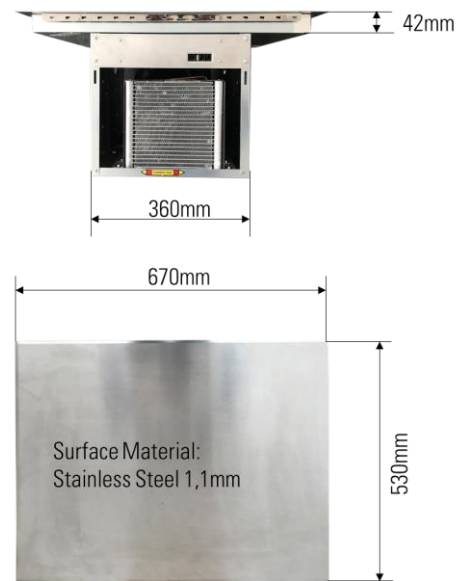
## Features:

4 power levels	temperature range: approx. -10°C to 10°C <sup>1)</sup>
Direct control on device or	external control panel or infrared remote control (optional)
InvisiFreeze™ Bus	up to 16 units in a network can be controlled with one panel
USB port	for software updates and read-out

1) The surface temperature, especially the minimum temperature, depends on various factors such as humidity, room/ambient temperature, material thickness and nature of the cover plate, supply and exhaust air of the unit, etc.

## Technical Data

Dimensions:	670 x 530 x 367 mm
Weight:	21 kg
Size of cooling area:	GN 2/1
Max. power:	300 W
Input voltage range:	220-240 V AC, 50/60 Hz
Internal electrical fuse protection:	6.3 A
Cooling liquid	R290 (propane)
Connection:	customized



## Accessories overview (optional)



Power cord 1500 mm, country specific connector, 10A



InvisiFreeze™ external control panel



InductWarm® infrared remote control (incl. battery)



Connecting cable to the external control panel



InductWarm® BUS cable, 2000 mm